

Description

ST Fiber Optic Patch Cords are comprised of a polymer outer body and inner assembly fitted with a precision alignment mechanism. Refer to the diagram above for dimensional information. These adaptors are precision made and manufactured to demanding specifications. The combination of a ceramic/phosphor bronze alignment sleeves and a precision moulded polymer housing provides consistent long-term mechanical and optical performance.

Application

- Telecommunication
- CATV
- LAN & WAN
- Network
- Broadband
- FTTP.

Features

- Coupling nut radial track minimizes the rotation needed to mate the connector
- Single mode and multimode versions are available
- Boot options for 3.0 mm and 0.9 mm breakout cable

Parameter

Item	SM			MM
	PC	UPC	APC	/
Polishing Type				
Insertion Loss	≤0.3dB			≤0.3dB
	Custom			
Return Loss	≤-45dB	≤-50dB	≤-60dB	/
	Custom			
Durability(1000 Mating)	0.2 dB Max. Increase			
Operating Temperature	-40°C~+85°C			
Storage Temperature	-40°C~+85°C			
Remark: Ferrule Concentricity<1μm Ferrule inner diameter tolerance +1/-0μm Ferrule outer diameter tolerance±0.5μm Insertion loss <0.7dB random mating				

Appearance & Dimension



Appearance & Dimension

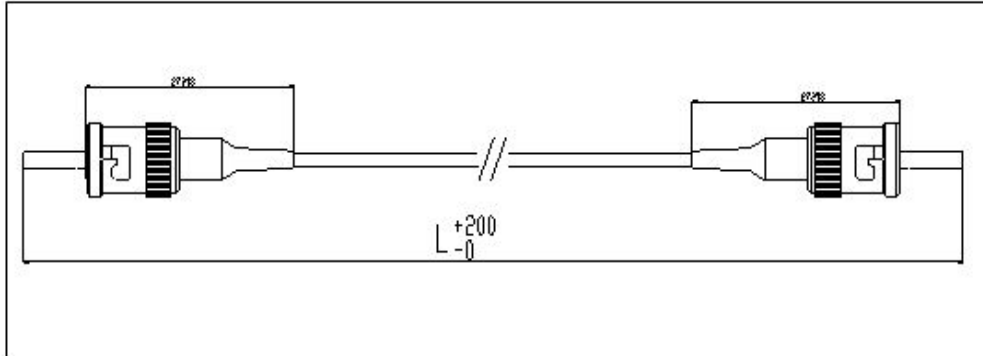


Figure1. ST 0.9 Patch Cord Appearance

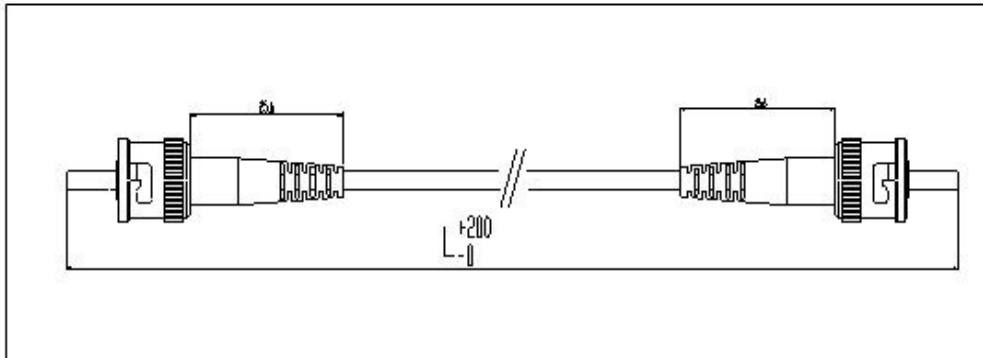


Figure2. ST 2.0/3.0 Patch Cord Appearance

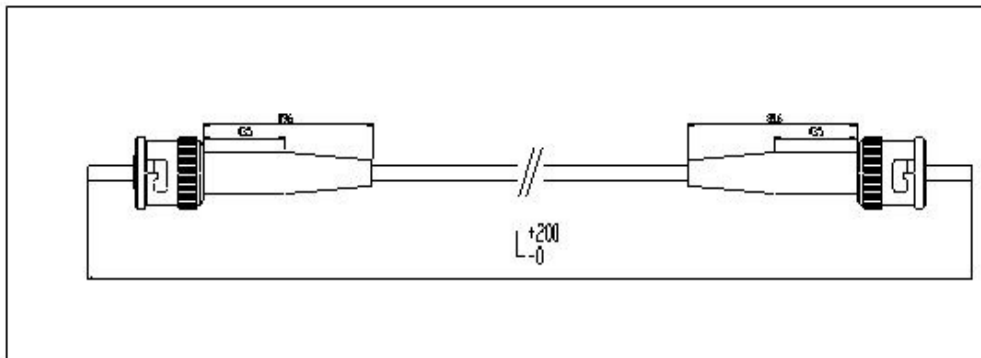


Figure3. ST 2.0/3.0 Patch Cord Appearance