

1

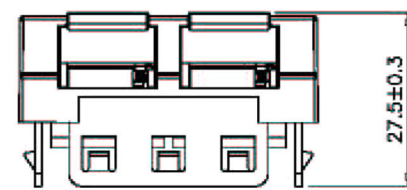
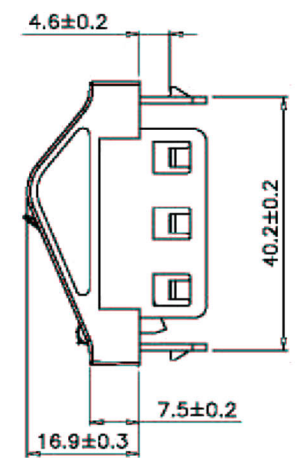
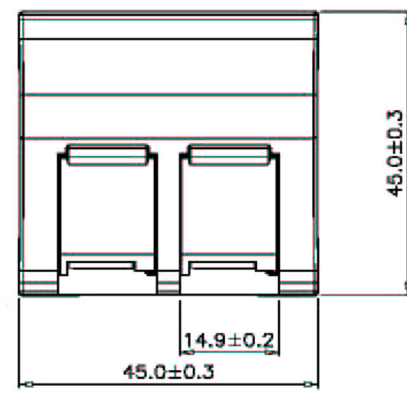
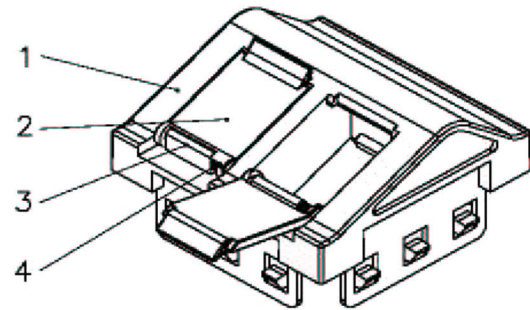
2

3

4

5

6



Specification :

- Material :
- 1. Face Plate : ABS, UL 94-HB.
  - 2. Shutter : ABS, UL 94-HB.
  - 3. Insert : PC, UL 94-V2.
  - 4. Spring : SUS.

GENERAL TOLERANCE OF DIMENSIONS X.XXX ±0.005 X.XX ±0.05 X.X ±0.1	DRAWING				<b>e-net</b> european netconnect
	CHECK				
	APPROVAL				
	SCALE	1/1 (A4)	UNIT	mm	ITEM NO.: E2050B
DATE		NAME		DES: Mod.Insert 45x45 w/Shutter f/2 Keystone	
DRAWING NO.		DRAWING CLASSIFICATION		S	SHEET 1 OF 1

"Products manufactured for E-NET" Detailed Specifications for the Manufacturer