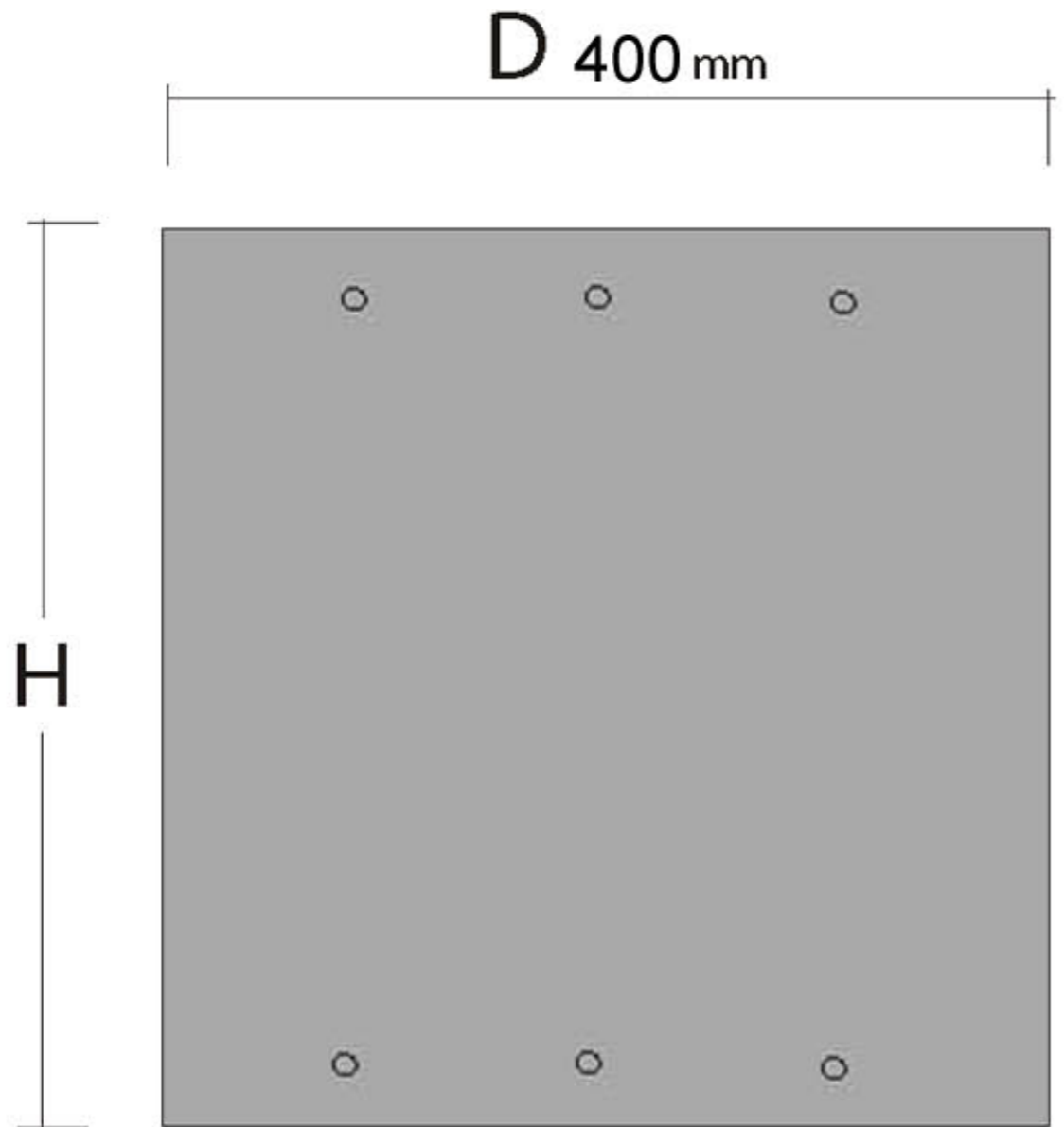
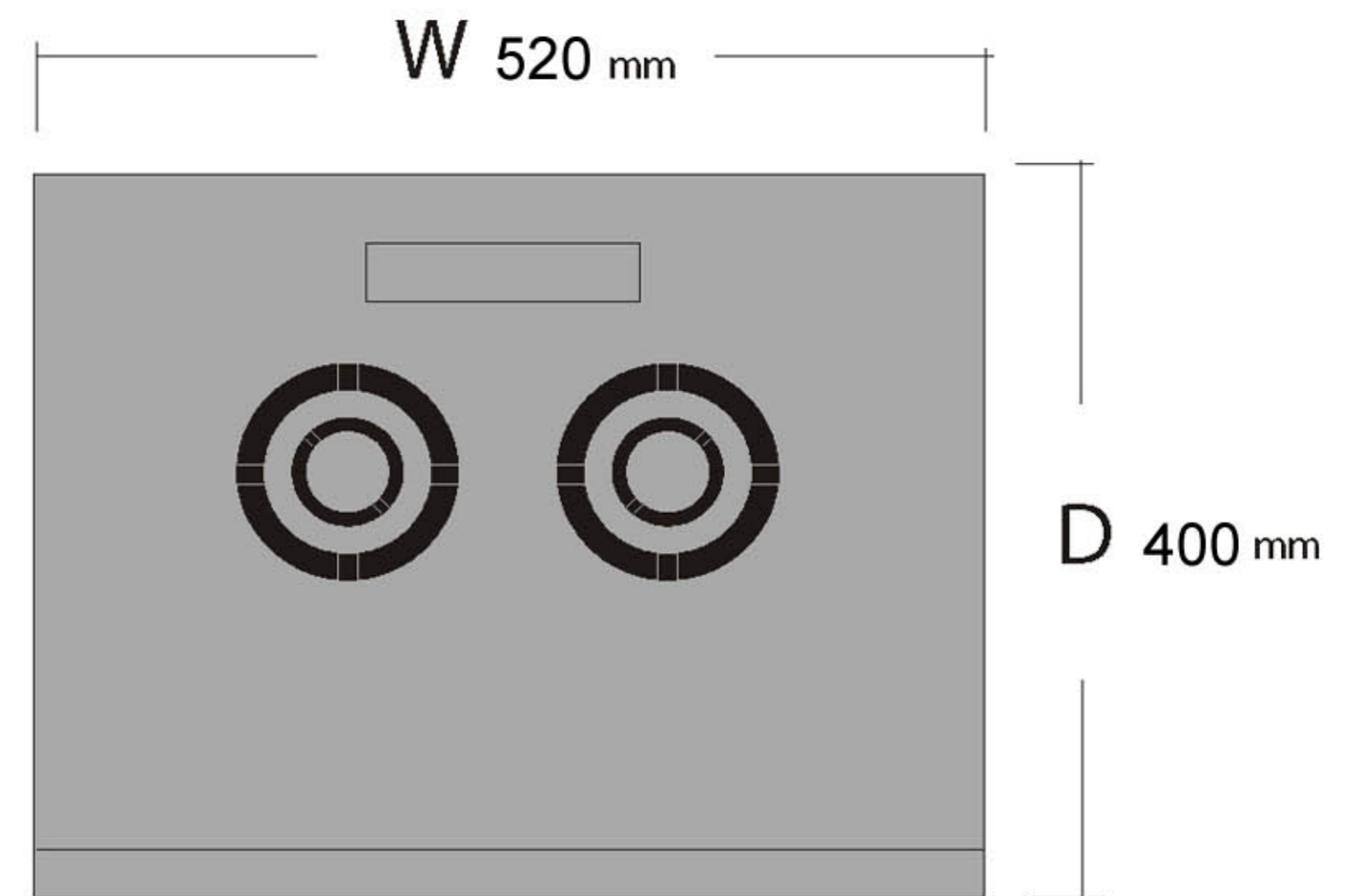


- 1-BOTTOM CASE
- 2-SIDE PANEL
- 3-A_BOTTOM CASE/SIDE PANEL SCREWING OPERATION
- 4-MOUNTING ANGLES (MOUNTED ON SIDE PANELS)
- 5-UP CASE
- 6-B_UP CASE/SIDE PANEL SCREWING OPERATION
- 7-REAR PANEL
- 8-C_REAR PANEL PANEL/MAIN MODULE SCREWING OPERATION
- 9-HINGES FOR GLASS DOOR
- 10-SOHO TYPE GLASS DOOR
- 11-YSB M5X9 BOLT
- 12-PLASTIC STOPPER



REFERANCE	Height "U"	Height "H"	Widht "W"	Depth "D"
T6U-400F	6	310	520	400

GENERAL TOLERANCE OF DIMENSIONS X.XXX ±0.005 X.XX ±0.05 X.X ±0.1	DRAWING		 european netconnect					
	CHECK							
	APPROVAL							
	DATE	NAME	ITEM NO.: T6U-400F					
SCALE	UNIT	mm	DES.: Wall Mount Cabinet "Basic FLAT"					
DRAWING NO.		<table border="1"> <tr> <td>DRAWING CLASSIFICATION</td> <td>S</td> <td>SHEET</td> <td>1 OF 1</td> </tr> </table>			DRAWING CLASSIFICATION	S	SHEET	1 OF 1
DRAWING CLASSIFICATION	S				SHEET	1 OF 1		
DRAWING CLASSIFICATION								

"Products manufactured for E-NET" Detailed Specifications for the Manufacturer