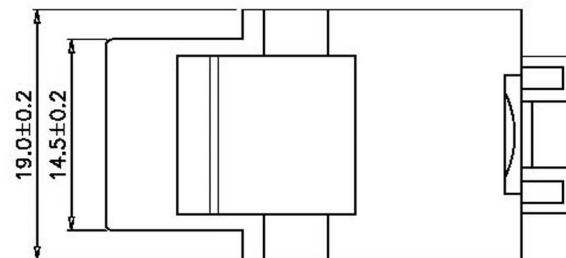
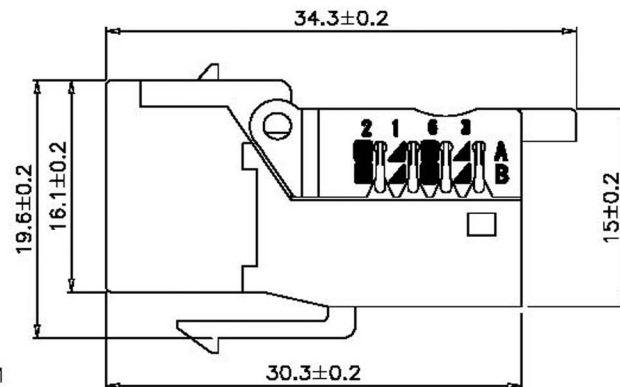
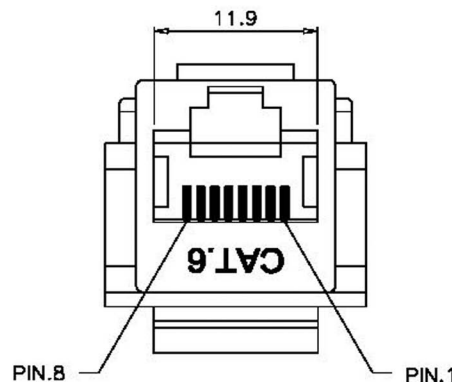


SCALE 1/1



Specification :

Material :

1. RJ45 Jack Housing : ABS, UL 94V-0, with optional color.
2. Jack Bracket Set : PBT+15%GF, UL 94V-0.
3. RJ45 Jack Contact material & finished :
 - 3-1. Phosphor Bronze.
 - 3-2. Contact area : Min. 3 mm 50 micro-inch Gold plated over Nickel plated.
4. IDC Housing : PC+5%GF, UL 94V-2.
5. IDC Terminal material & finished :
 - 5-1. Phosphor Bronze with min. 50 micro-inch Tin plated.
 - 5-2. Suitable for 23-24AWG stranded & solid wire.
6. IDC CAP : PC+5%GF, UL 94V-2.

Performance :

- a. Wiring : T568A & T568B.
- b. Insertion force : 900 gm for 8 contacts.
- c. Retention strength : 7.7 kg between Jack and Plug.
- d. Operating temperature : -10°C to 60°C.(ISO/ICE 11801, ANSI/TIA/EIA 568 B.2)
- e. Durability :
 - Jack : 750 cycles Plug-Jack mating and unmating test, Insertion cycles at 20 cycles/minute max. Contact resistance test per 100 cycles.
- f. The Cat.6 transmission performance is in compliance with the ANSI/TIA/EIA 568 B.2-1 standard.

"Products manufactured for E-NET" Detailed Specifications for the Manufacturer

| | | | | | | |
|---|----------|------------------------|------|---|-------------------------|--------|
| GENERAL TOLERANCE OF DIMENSIONS X.XXX ±0.005 X.XX ±0.05 X.X ±0.1 | DRAWING | | | | european netconnect | |
| | CHECK | | | | | |
| | APPROVAL | | | | | |
| | | | DATE | NAME | ITEM NO.: E2002T | |
| SCALE 1/1 (A4) | | UNIT | mm | DES.: Keystone Jack Cat.6 UTP RJ45 Toolless | | |
| | | DRAWING NO. | | | | |
| | | DRAWING CLASSIFICATION | | S | SHEET | 1 OF 1 |

