

1

2

3

4

5

6

A

A

B

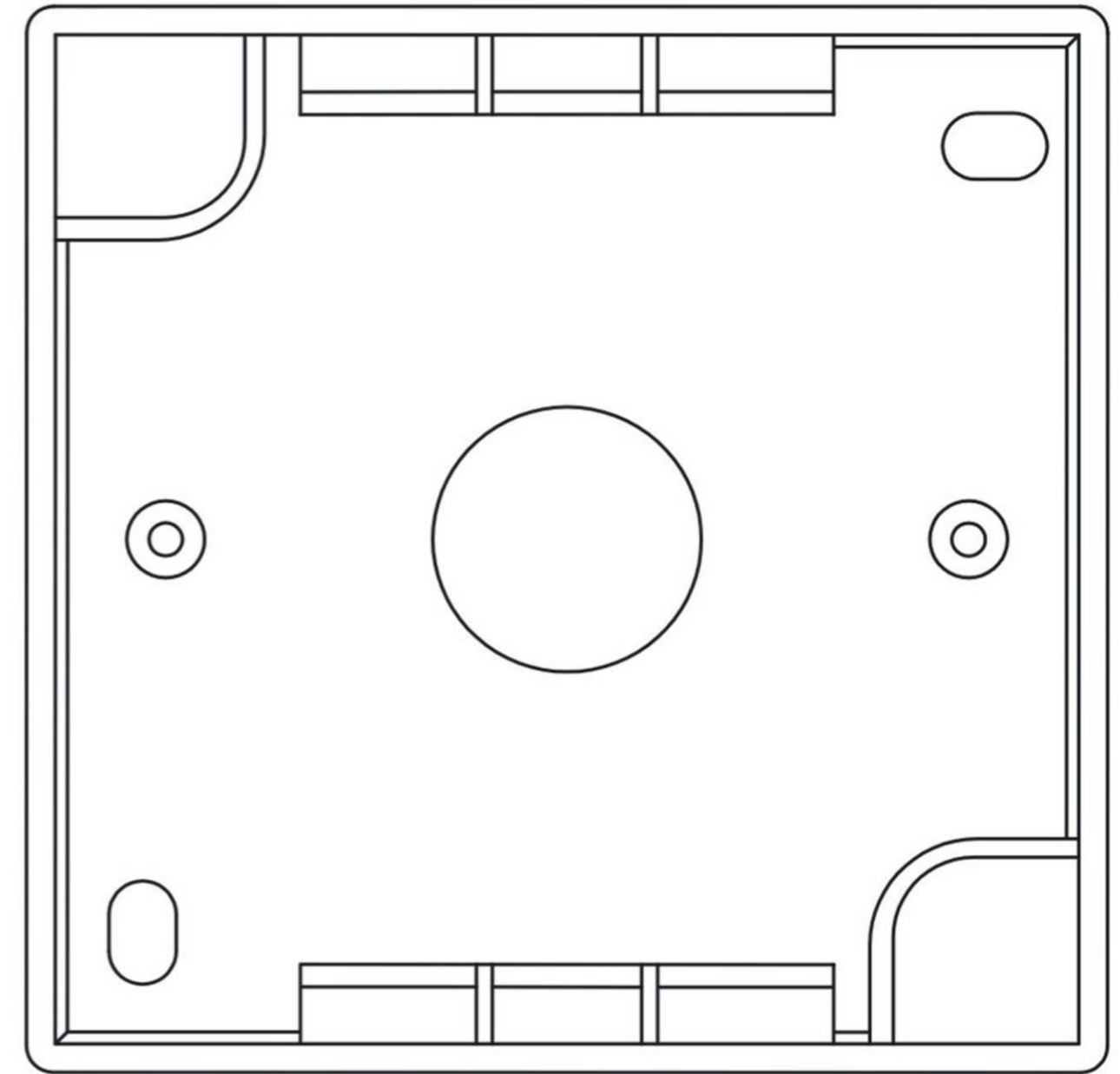
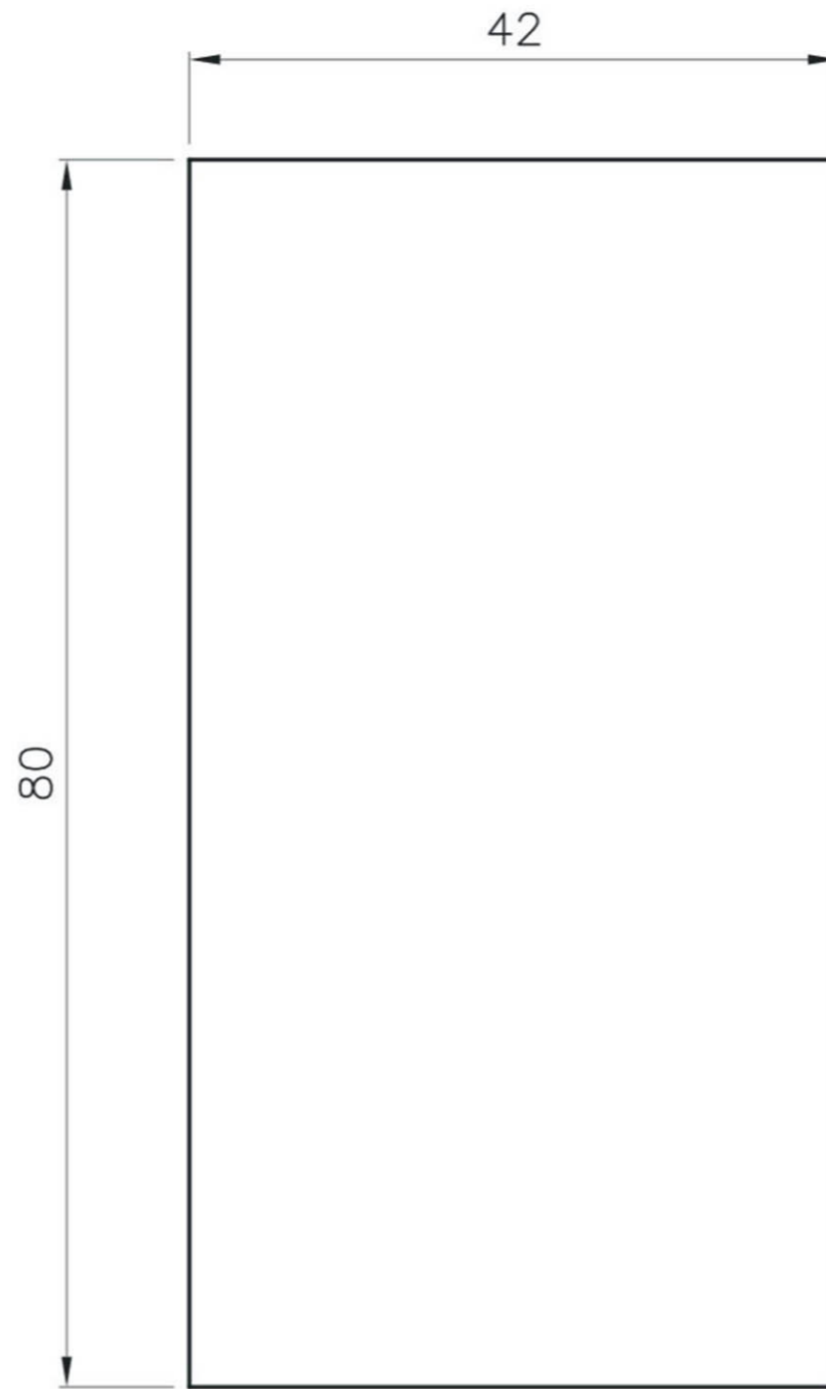
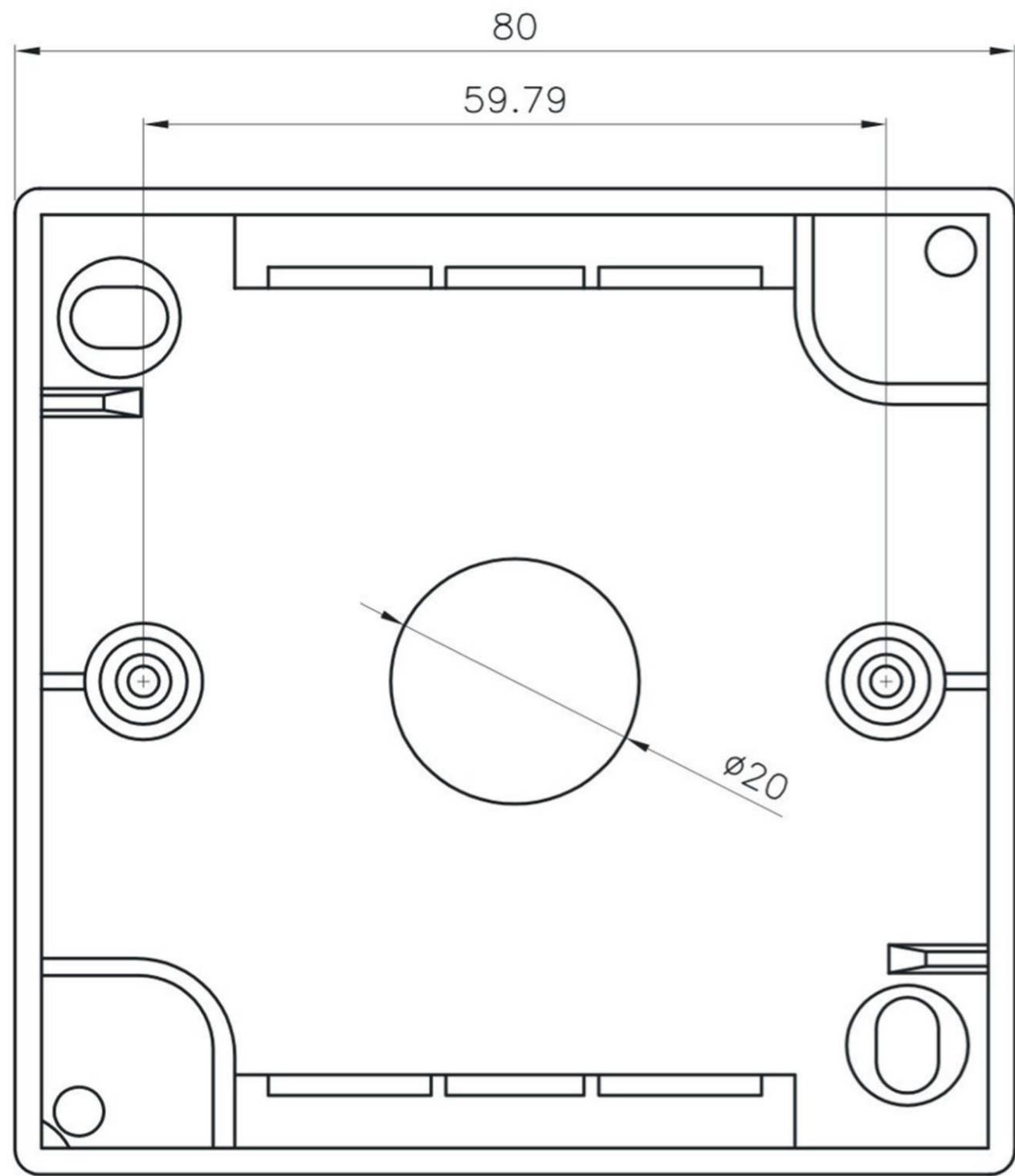
B

C

C

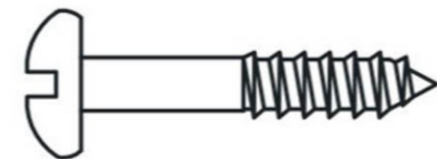
D


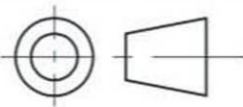
D



### Specification

1. Material : ABS UL94 V0 rated.
2. Color:White(optional)
3. Screw:6x19mm & 3.5x25mm



GENERAL TOLERANCE OF DIMENSIONS X.XXX ±0.005 X.XX ±0.05 X.X ±0.1	DRAWING				 european netconnect	
	CHECK					
	APPROVAL					
			DATE	NAME	ITEM NO.: E2030	
	SCALE	1/1 (A4)	UNIT	mm	DES.: Surface Mounted Box 80x80	
		DRAWING NO.				
		DRAWING CLASSIFICATION		S	SHEET	1 OF 1

"Products manufactured for E-NET" Detailed Specifications for the Manufacturer

1

2

0

3

4

10cm

5

6

